

The Palladium Series Modular Systems are a highly customizable solution that provide you the flexibility to choose the exercise stations and positioning that best suits your facility. Choose from 6 different configurations and 5 available add-on stations to create the Modular System perfectly suited for your specific needs. Further enhance your brand with personalized paint colors and upholstery.

DUAL MODULAR FRAME WITH CABLE CROSSOVER TMS8000

FEATURES

- 2x **TMS4000** 4-Sided Pods + Cable Crossover with Adjustable Cable Columns
- Multi-Grip Chin Bar Assembly with Suspension Bracket
- Cable Crossover available with 170 lb/85 lb (77 kg/39 kg) resistance or 250 lb/125 lb (114 kg/57 kg) resistance weight stacks

STATIONS (UP TO 6)

A END STATIONS (MAX 2 / MIN 0)

- Single Adjustable Cable Column **TMS0070** | 170 lb/85 lb (77 kg/39 kg) resistance or 250 lb/125 lb (114 kg/57 kg) resistance
- Biceps Curl **TMS0600** | 170 lb (77 kg)
- Triceps Extension **TMS0500** | 170 lb (77 kg)

B SIDE STATIONS (MAX 4 / MIN 2)

- Lat Pulldown **TMS1100** | 210 lb (95 kg) or 310 lb (141 kg)
- Seated Low Row **TMS1200** | 210 lb (95 kg) or 310 lb (141 kg)



8 weight stack configuration
shown with optional front
and rear shrouds



truefitness.com | 800.426.6570 | 636.272.7100

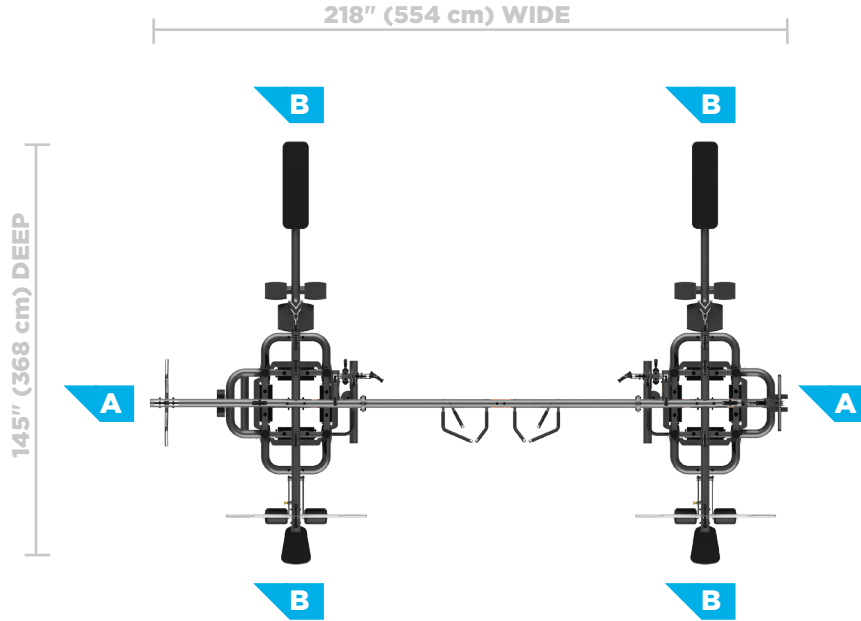
©2021 TRUE Fitness Technology, Inc

TMS8000 MODULAR SYSTEM



8 WEIGHT STACK CONFIGURATION

(Fits in center of room)



- A END STATIONS**
SINGLE CABLE COLUMN
BICEPS CURL
TRICEPS EXTENSION

- B SIDE STATIONS**
LAT PULLDOWN
SEATED LOW ROW

8 WEIGHT STACK DIMENSIONS

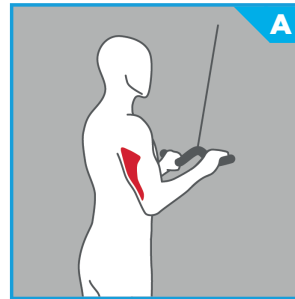
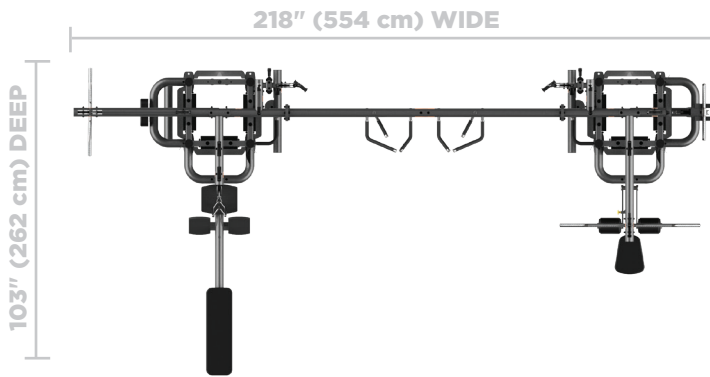
218" x 145" x 96" / 554 cm x 368 cm x 243 cm

6 WEIGHT STACK DIMENSIONS

218" x 103" x 96" / 554 cm x 262 cm x 243 cm

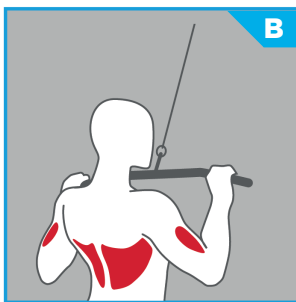
6 WEIGHT STACK CONFIGURATION

(Fits up against mirror or wall)



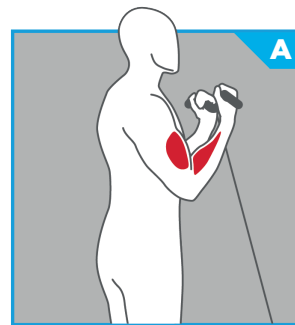
A SINGLE ADJUSTABLE CABLE COLUMN **TMS0070**

Single adjustable cable column with swivel pulley housing and easy lift handle. 25 different positions.



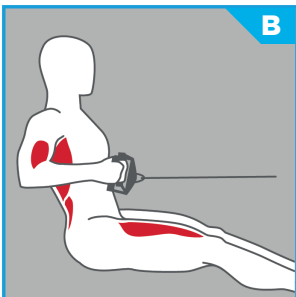
B LAT PULLDOWN **TMS1100**

Adjustable thigh pad assembly with elevated weight stack for easy access.



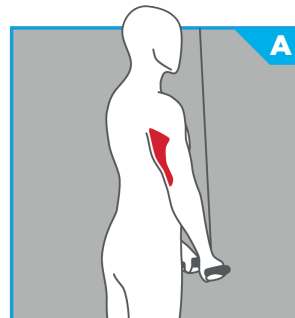
A BICEPS CURL **TMS0600**

Space efficient biceps curl station.



B SEATED LOW ROW **TMS1200**

Elevated seat position minimizes floor space.



A TRICEPS EXTENSION **TMS0500**

Triceps station with comfortable upholstered back support pad.